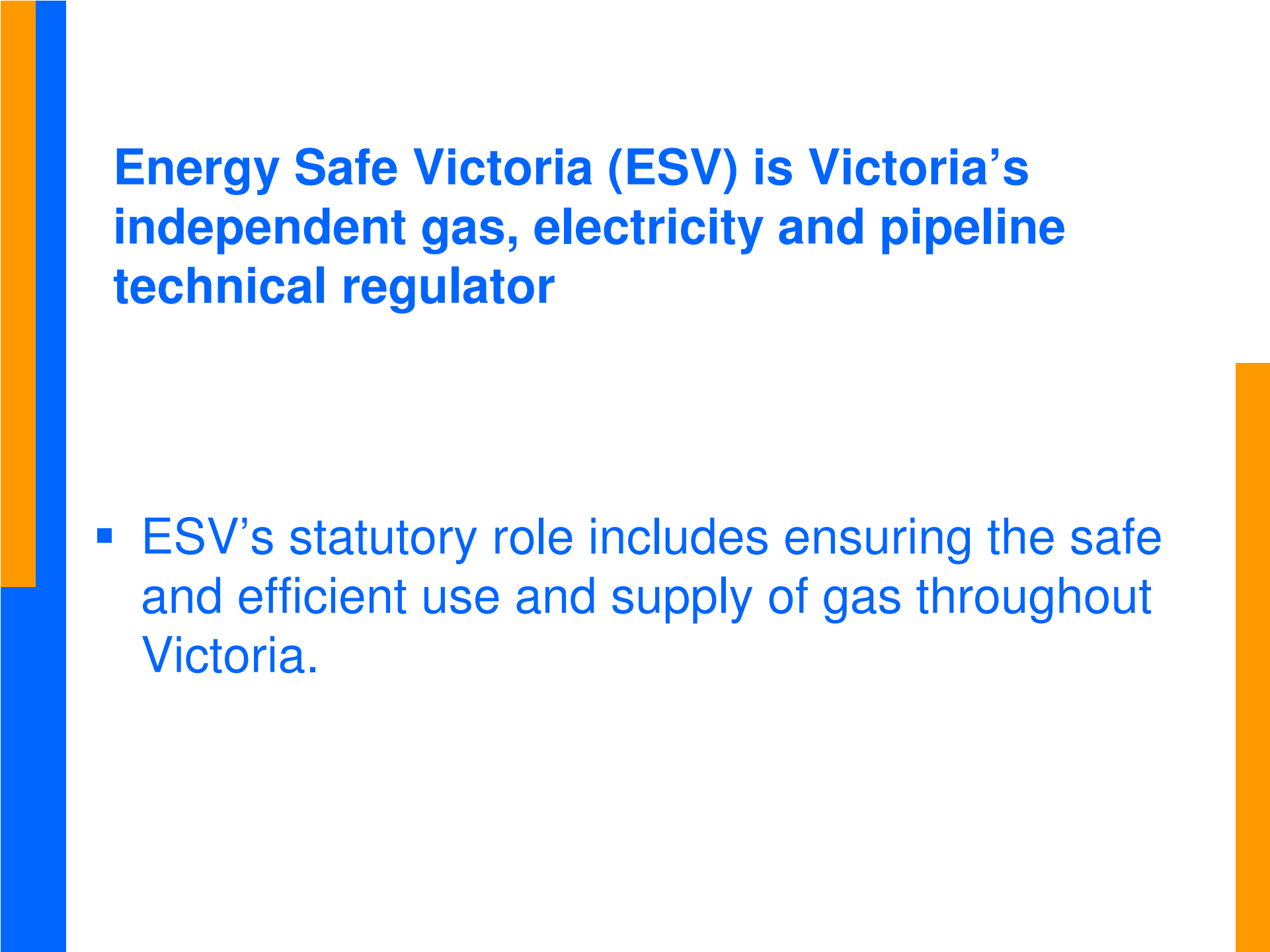


Making the Best Use Out of Gas Inspectors

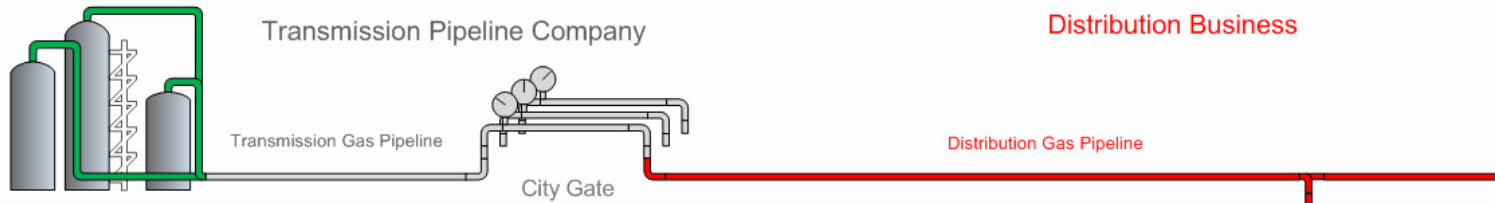
January 2011



Energy Safe Victoria (ESV) is Victoria's independent gas, electricity and pipeline technical regulator

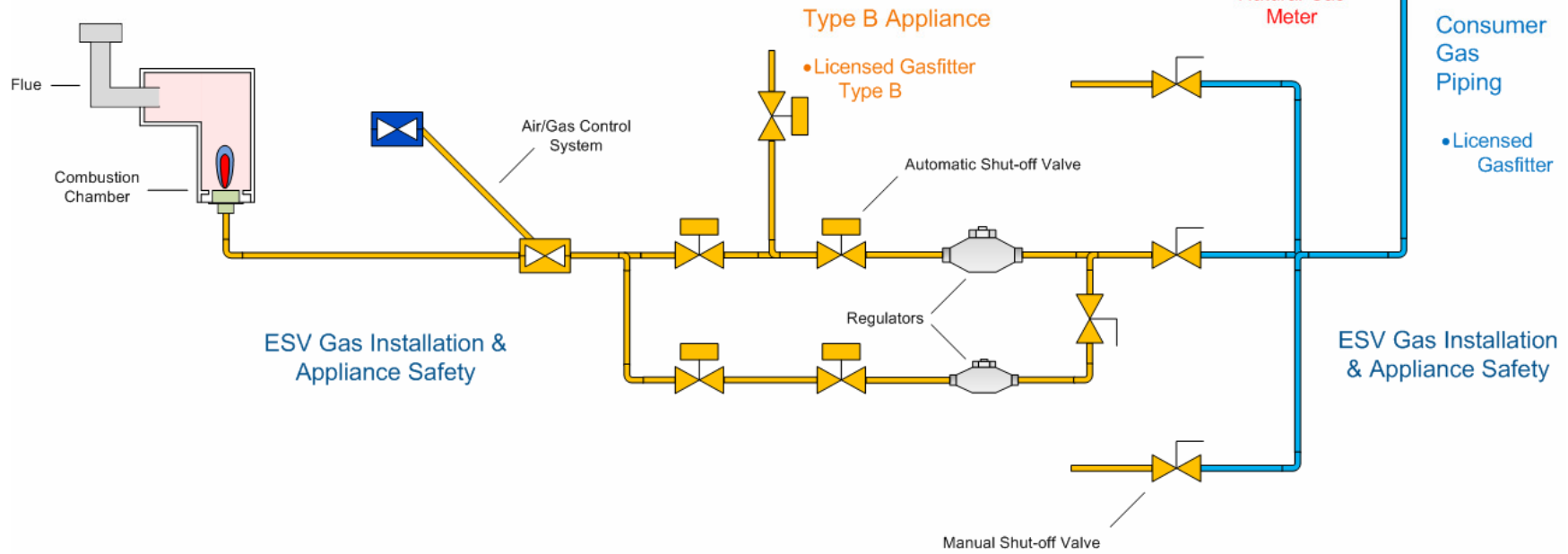
- **ESV's statutory role includes ensuring the safe and efficient use and supply of gas throughout Victoria.**

Esso, Longford
Esso, Long Island Point
Bass Gas, Lang Lang



ESV Gas Infrastructure Safety

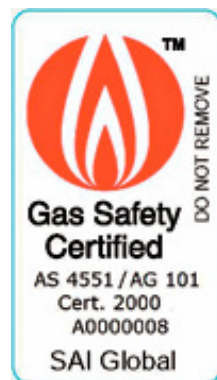
ESV Gas Infrastructure Safety



There are only two types of appliances in Australia: Type A and Type B appliances

- Type A appliances are your normal household appliances such as ovens, cook tops, hot water services, etc.
- Type A appliances display badges from either:
 - Australian Gas Association (AGA);
 - SAI Global;
 - IAPMO; or
 - Energy Safe Victoria (for a very minimal amount of Type A appliances in Victoria)

Examples of Type A Appliance Certification Badges





Type B appliances are usually industrial / large commercial appliances such as:

- gas turbines
- furnaces
- kilns
- spray bake ovens
- afterburners / incinerators
- printing machines

ESV's new assessment and acceptance process

- A new Application Form has been developed to capture all relevant information required to conduct a safety risk analysis on each consumer gas piping and Type B appliance job received.
- ESV will only accept Application Forms that have been completely and correctly filled in.

APPLICATION for ACCEPTANCE of COMPLEX GAS INSTALLATIONS ONLY**Completing your Application**

The following information will help you complete the form correctly, speed up your request and minimize our request for further information.

Incomplete applications will be rejected and returned to the applicant.



Applications are to be sent prior to commencement of work or within 24 hours of an EMERGENCY REPAIR or CHANGE OVER APPLIANCE.

Statement of Compliance must be signed by a person licensed by the Plumbing Industry Commission (PIC) for the specific class of work, or person authorised by Energy Safe Victoria (ESV).

If you are not required to give information in some parts of the form, leave the form blank. DO NOT mark or cross them out.



print within the boxes in **B L O C K L E T T E R S**

print within the circle with an  or fill in 

Guidelines and more Information

Complex Installations ESV (Statement of Compliance) or

Standard Installations PIC (Certificate of Compliance)

Refer to Gas Information Sheet Number 33 or our Website. www.esv.vic.gov.au

Terms and Conditions of Application

For terms and conditions for acceptance of a gas installation by Energy Safe Victoria visit our web site at www.esv.vic.gov.au

WARNING

Applications must be accurate: It is a criminal offence under Section 100 of the **Gas Safety Act 1997** to make false or misleading information to an inspector.

Submitting your Application**Deliver your Application to**

Energy Safe Victoria
Level 3 Building 2
4 Riverside Quay
Southbank, VIC 3006

Email your Application to

gasapplication@esv.vic.gov.au

Mail your Application to

Energy Safe Victoria
P.O. Box 262
Collins Street West
Victoria 8007

Fax your Application to

03 9271 5454

G

PIC LICENCE NUMBER

SECTION ONE to be Completed for ALL Applications

APPLICANTS DETAILS

Family Name, Given Name(s), Business Address, Suburb, State, Post Code, Mobile Phone Number, Office Hours Phone Number, Fax Number, Email Address

APPLICANTS CLIENT DETAILS

Client Name, Installation Address, Suburb, State, Post Code, Contact Name, Mobile Phone Number, Office Hours Phone Number, Fax Number, Email Address

For EMERGENCY REPAIR or CHANGE OVER APPLIANCE ONLY, retrospective applications may be accepted provided a Consumer Piping Test Report and Compliance Notice (as per SCHEDULE 11) is attached to the application.

TYPE OF WORK

Emergency Repair, Type of Gas, Installation Type, Building Type, Change Over Appliance Only

WORK PLAN COMPLEX INSTALLATION

Commencement Date, Proposed Completion Date

Total Gas Consumption (MJ/h)

Gas Load Exceeding 3800MJ/h complete SECTION ONE, START WORK NOTICE and submit SCHEDULE 8

Operating Pressure (kPa)

Operating Pressure input field

Pressure Exceeding 200kPa complete SECTION ONE, START WORK NOTICE and submit SCHEDULE 8

Building Exceeds 10 Storeys

Building Exceeds 10 Storeys Yes/No

If Yes, complete SECTION ONE, START WORK NOTICE and submit SCHEDULE 8

Application for Type B Appliance Acceptance

Type B Appliance Location

Internal, External, Plant Room, Roof, Basement, Yard, Shop Floor

Complete SECTION ONE, START WORK NOTICE and submit SCHEDULE 9

PIC LICENCE NUMBER

Information to be supplied by persons seeking acceptance of a gas installation

PREMISES

- Residential
- Commercial
- Industrial

Residential Information

- Greater than 5 Storeys
- Less than 10 Storeys
- Where Type B appliance has been installed

Commercial Information

- Hospital / Aged Care
- School / Training Centre
- Day Care Centre Children
- Correctional Facility
- Restaurant
- Shopping Centre (incl Food Court)
- Retail (i.e. Shop)
- Place of Assembly (Church)
- Hotel / Motel / Backpackers etc.
- Community Services Buildings
- Mobile Installation (e.g. catering)
- Marine Craft of ANY type
- Gymnasiums
- Caravan Parks
- Commercial Building
- Greater than 5 Storeys
- Less than 10 Storeys

Fuel Type

- Natural Gas Bio / Other
- LPG Gas / Air / Oxy mix

Fuel Conversion

FROM

- Natural Gas Other (specify)
- LPG

TO

- Natural Gas Other (specify)
- LPG

Consumer Piping Material (specify)

<input type="text"/>	<input type="text"/>	<input type="text"/>	<input type="text"/>	<input type="text"/>	<input type="text"/>	<input type="text"/>	<input type="text"/>	<input type="text"/>	<input type="text"/>	<input type="text"/>	<input type="text"/>	<input type="text"/>	<input type="text"/>	<input type="text"/>	<input type="text"/>	<input type="text"/>	<input type="text"/>	<input type="text"/>	<input type="text"/>
<input type="text"/>	<input type="text"/>	<input type="text"/>	<input type="text"/>	<input type="text"/>	<input type="text"/>	<input type="text"/>	<input type="text"/>	<input type="text"/>	<input type="text"/>	<input type="text"/>	<input type="text"/>	<input type="text"/>	<input type="text"/>	<input type="text"/>	<input type="text"/>	<input type="text"/>	<input type="text"/>	<input type="text"/>	<input type="text"/>
<input type="text"/>	<input type="text"/>	<input type="text"/>	<input type="text"/>	<input type="text"/>	<input type="text"/>	<input type="text"/>	<input type="text"/>	<input type="text"/>	<input type="text"/>	<input type="text"/>	<input type="text"/>	<input type="text"/>	<input type="text"/>	<input type="text"/>	<input type="text"/>	<input type="text"/>	<input type="text"/>	<input type="text"/>	<input type="text"/>

Metering / Supply Pressure

- 0 kPa - 2.75 kPa
- 2.76 kPa - 7 kPa
- Exceeds 7 kPa

APPLIANCES

- Consumer Piping Only? Yes No
- If Yes, go to OTHER

Type A (General)

- Cook Top
- Free Standing Cooker
- Oven
- Refrigerator
- Griller / BBQ
- Room Heater
- Wall Furnace
- Decorative Log Fire
- Central Heater
- Radiant Tube Heater
- Radiant Heater
- Patio Heater
- Laundry Dryer
- Hot Water System (Cont)
- Hot Water System Inst
- Hot Water System Storage
- Pool / Spa Heater

Commercial Catering (AS4563)

- Cook Top
- Wood/Gas Fire Pizza Oven
- Combination Steamer Oven
- Oven Pizza & Others
- Tandoori Oven
- Griller / Solid Plate /Target Top
- BBQ / Char Grill
- Fryer
- Range
- Chinese Cooking Table
- Salamander
- Rotisserie
- Pasta & Rice Cooker

Other Appliance Information

- Type B appliance installed? Yes No
- All Type A appliances are certified? Yes No
- Application made to Certify Non-Certified Type A appliances? Yes No
- Second Hand Type A appliances installed? Yes No

INSTALLATION

Appliance Location

- Basement
- Plant Room
- Ceiling
- Kitchen Commercial
- Kitchen Domestic
- Class Room
- Industrial Shop Floor
- Roof External
- Yard External

Flueing

- Natural Draft
- Power Flue
- Power Balanced Flue
- Combined
- Unflued
- Canopy

Ventilation

- Natural Direct
- Mechanical
- Natural Via another Room
- Combined

Protection of Combustible Surfaces

- Are Combustible Surfaces Present? (i.e. Timber wall behind cooking equipment) Yes No

Fire Protection Systems

- Is there a Sprinkler System present in the building? No
- Yes - Appliance Not Affected when Fire Equipment Operates
- Yes - Appliance Shuts Off when Fire Equipment Operates

OTHER

- Volatiles Present?** (including Dust) Yes No
- Submeter Present?** Yes No
- Other Plumbers?** (involved with Gas Works) Yes No

Statement of Compliance in Relation to a Gas Installation

INSTALLATION DETAILS

Client Name		
Installation Address		
Suburb	State	Post Code

Schedule 10

START WORK NOTICE
 Section 73
 Regulation 31(5)
CERTIFICATION

By signing my name below, I certify that I am the person named below and that I understand that it is an offence to provide false or misleading information to Energy Safe Victoria under section 117 of the **GAS SAFETY ACT 1997**.

Signature

Date (ddmmyy)

Print Name

PIC Licence Number

Schedule 11

COMPLIANCE NOTICE
 Section 73
 Regulation 31(6) and 33(3)
CERTIFICATION

By signing my name below, I certify that I am the person named below and that I understand that it is an offence to provide false or misleading information to Energy Safe Victoria under section 117 of the **GAS SAFETY ACT 1997**.

ESV JOB NUMBER (if previously issued)

Signature

Date (ddmmyy)

Print Name

PIC Licence Number

ESV's new assessment and acceptance process (continued)

- Safety risk is determined by 3 key elements:
 - 35% on the compliance / safety record of the licensed person
 - 40% on the installation or appliance and its complexity
 - 25% on the location of the job
- Inspectors have veto rights to categorize any application determined to be Low or Medium safety risk to High safety risk.

ESV's new assessment and acceptance process (continued)

- Medium and Low safety risk applications will be conditionally accepted.
- As soon as a consumer gas piping is conditionally accepted, ESV provides the ESV Gas Supply Approval number to the licensed person and relevant gas company if gas supply is required.

ESV's new assessment and acceptance process (continued)

- Acceptance conditions for conditionally accepted complex gas installations:
 - shall include
 - Compliance Notice signed by the licensed person
 - Consumer piping test report
 - may include
 - Gas appliance commissioning check sheet
 - Protection of combustible surfaces letter

ESV's new assessment and acceptance process (continued)

- When the ESV gas inspector receives all the acceptance conditions, the Type B appliance or consumer gas piping application will be accepted and the job sent to an audit data base.
- The audit data base will select, at random, a percentage of jobs for audit each month.

Benefits of the new process

- Assists the gasfitter:
 - i. in obtaining the required customer information
 - ii. by ensuring that vital information is not missed
 - iii. to better plan the installation
 - iv. in making appointments and highlighting any potential safety issues earlier
 - v. in obtaining gas supply quicker
 - vi. by flagging that they require more training
 - vii. by rewarding those gasfitters that carry out jobs properly.

Benefits of the new process (continued)

- Allows Energy Safe Victoria to:
 - i. formally and transparently determine which jobs are to be inspected
 - ii. better utilize ESV's gas inspectors

- ESV wants to use our gas inspectors to:
 - train gasfitters and other gas industry people
 - ensure that servicing of gas appliances does take place and that work is of good quality
 - Improve the efficiency of gas appliances

(END)